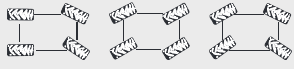
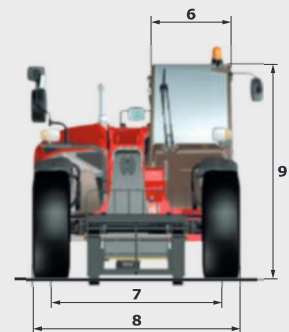
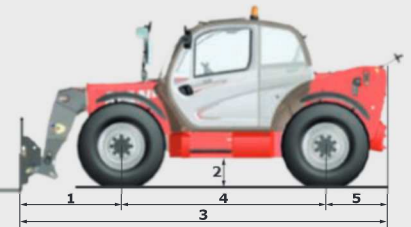
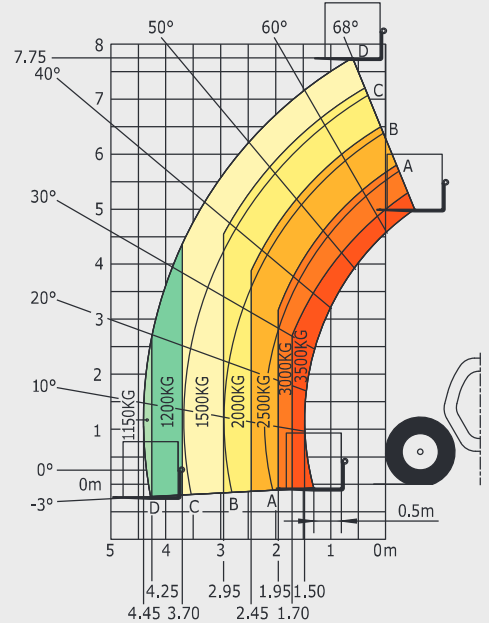


# MT 835

	MT 835	MT 835 H
<b>Lifting</b>		
Max. capacity	3500 kg	
Max. lifting height	7.75 m	
Max. outreach	4.45 m	
Break-out force with bucket	6264 daN	
<b>Unladen time</b>		
Lifting	6.6 secs	
Lowering	6.0 secs	
Extension	6.0 secs	
Retraction	5.6 secs	
Crowd	3.2 secs	
Dump	3 secs	
<b>Tyres</b>	400/80-24	
<b>Braking</b>		
Service brake	Oil immersed multi-disc braking on front/rear axles	
Parking brake	Automatic Negative Handbrake	
<b>Engine</b>		
	PERKINS - STAGE 3B	
Type	854E-34TA	
Cubic capacity	3400 cm <sup>3</sup>	
Power	102 HP/75 kW	
Max. torque	420 Nm - 1400 rpm	
Injection	direct	
Cooling	water	
Laden drawbar pull	8200 daN	6200 daN
<b>Transmission</b>		
	torque converter 4 wheel drive	hydrostatic 4 wheel drive
Reversing shift	electrohydraulic control	
Number of gears (forward/reverse)	4/4	3/2
Max. travel speed (may vary according to applicable regulations)	26 kph	25 kph
Steering mode	4 wheel steer - 3 Steering Modes	
		
<b>Controls</b>		
	JSM® Joystick multi - function Load Limiter Cut off system - EN15000 Norm	
<b>Hydraulics</b>		
Pump	gear type with priority valve 125 l/min - 270 bar	
<b>Capacities</b>		
Hydraulic oil	175 l	
Fuel	120 l	
<b>Unladen weight (with forks)</b>	7200 kg	7300 kg
<b>Dimensions</b>		
1. Front wheel centre to carriage	1.49 m	
2. Ground clearance	0.41 m	
3. Overall length to carriage	5.24 m	
4. Wheelbase	2.88 m	
5. Rear wheel centre to rear face	0.87 m	
6. Overall width of cab	0.88 m	
7. Inside tyre width	1.87 m	
8. Overall width	2.28 m	
9. Overall height	2.42 m	
Standard forks (length x width x thickness)	1200 x 125 x 45 mm	
Turning radius (over tyres)	3.85 m	
Carriage rotation (crowd/dump)	12° / 114°	
<b>Noise and vibration</b>		
Noise at driving position (LpA)	82 dB	
Environmental noise (LwA)	106 dB	
Vibration to whole hand/arm	<2.5 m/s <sup>2</sup>	
Vibration on driver's body	2 m/s <sup>2</sup>	

**Rough terrain load chart**  
standard EN1459 annex B

**Machine on tyres with forks**



This brochure describes versions and configuration options for Manitou products which may be fitted with different equipment. The equipment described in this brochure may be standard, optional or not available depending on version. Manitou reserves the right to change the specifications shown and described at any time and without prior warning. The manufacturer is not liable for the specifications given. For more information, contact your Manitou dealer. Non-contractual document. Product descriptions may differ from actual products. List of specifications is not comprehensive. The logos and visual identity of the company are the property of Manitou and may not be used without authorisation. All rights reserved. The photos and diagrams contained in this brochure are provided for information only.

MANITOU BP SA - limited company with board of directors - Share capital: 39,547,824 euros - 857 802 508 RCS Nantes

