

# XGS28E

## Telescopic boom lift

### FEATURES

### MEASUREMENTS

28.2m working height  
Up to 300/460kg lift capacity

### PRODUCTIVITY

2.4m × 0.9m steel platform  
4 driving wheels  
2 steering wheels  
40% theoretical gradeability  
Axle balance system  
Solid rubber tires  
Platform automatic leveling system  
160° platform rotation  
Fully proportional multi-function controls  
Hydraulic oil cooler  
Drive enable  
Hourmeter record  
Tilt alarm  
Lift and lower alarm  
Drive alarm  
360° continuous turntable rotation  
Lockable turntable cover  
High/Slow speed mode  
Turntable control box  
Engine status display  
Steering lever control  
Flashing beacon  
Emergency power unit  
12V DC emergency power

### POWER

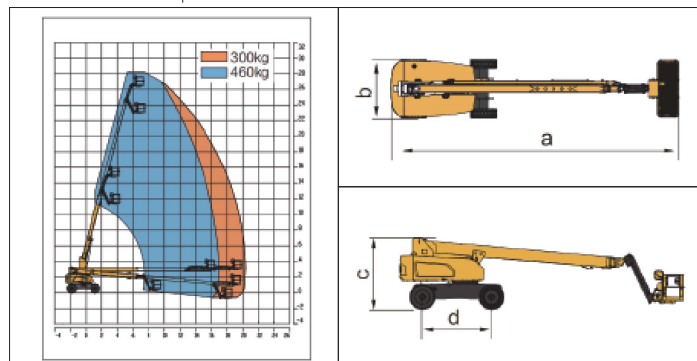
Engine protection devices  
Kubota Euro stage V emission

### OPTIONS

Foam-filled rough terrain tires  
Tool tray  
Platform working light  
AC power to the platform  
Platform anti-collision device



Work Curve Graph



Item	Unit	XGS28E
Working Height	m	28.2
Platform Height	m	26.2
Working radius	m	23
Lift capacity	kg	300/460
Boom luffing range	°	-5~+75
Fly jib luffing range	°	-64~+70
Turntable rotation	°	360
Platform rotation	°	160
Tailswing	mm	1600
Drive Speed	km/h	6.1
Turning Radius (inside)	m	3.6
Turning Radius (outside)	m	6.7
Ground clearance	mm	310
Gradeability	%	40
Tires	-	385/45-28
Power source	-	Kubota V2607
Rated power	kW(r/min)	48/2400
Fuel tank	L	180
Hydraulic tank	L	210
Weight	kg	18300
Platform size	mm	2400x900
a Length	mm	12300
b Width	mm	2490
c Height	mm	3050
d Wheelbase	mm	3000